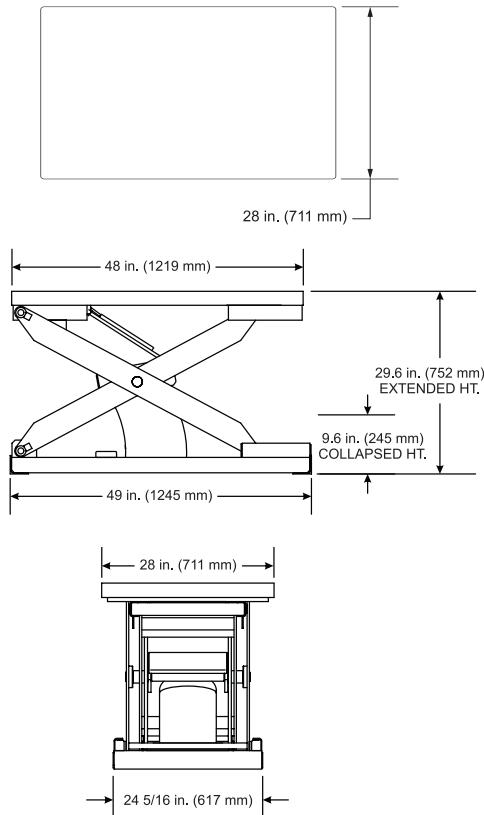


EZ UP®

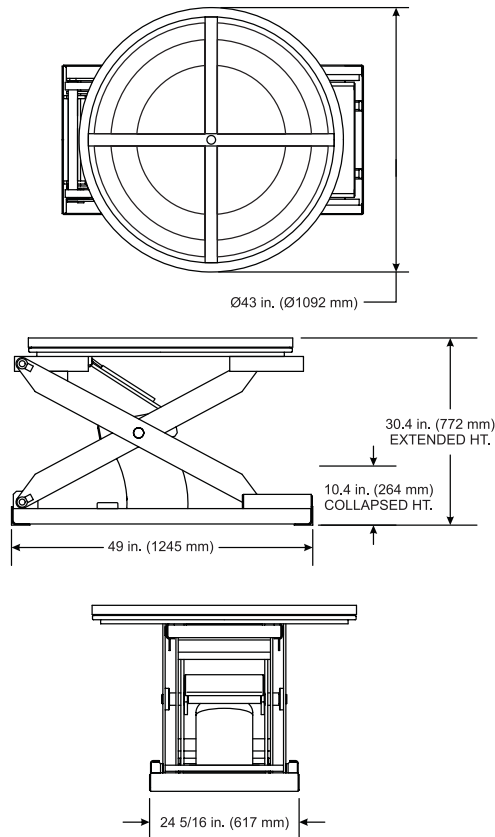
EZU & EZU-R PNEUMATIC LIFT TABLES

Working Harder To
Make Your Life Easier

EZ UP Model EZU-15



EZ UP Model EZU-15-R



Standard Features

- Firestone Airstroke Actuator raises and lowers the table platform to vertically position the load to the desired height
- Hand or foot control is standard
- Durable and attractive polyester powder coating adds life and superior corrosion resistance to the finish
- Heavy-duty structural steel construction with rugged base frame
- Entrapped rollers on base and platform for added stability
- Hinged maintenance bars
- Rotating models feature a secured center pivot with ball bearing that provides smooth, even rotation
- High quality 3 position hand lever control allows easy operation
- Clean design with minimum of maintenance needed
- Easily relocated with a fork truck

Optional Accessories

- Rotator Ring Brake
- Accordion Bellows Skirting
- Semi-Live Portability
- Rotating Platform - Solid Rectangular 44x44 / 44x48 / 48x48
- Pedestal Valve Stand for Hand Control

Selector Table for EZU Series Pallet Positioners

Model	Travel (inches)	Capacity		Height (Inches)		Standard Platform Size (inches)	Ship Weight
		@ 90 PSI	@100 PSI	Lowered	Raised		
EZU-15-R	20	1,500 lbs.	1,700 lbs.	10.4	30.4	43 diameter	525
EZU-15	20	1,500 lbs.	1,700 lbs.	9.6	29.6	28 x 48	480
EZU-15-R-SS*	20	1,500 lbs.	1,700 lbs.	10.4	30.4	43 diameter	525

* Stainless steel model for washdown and clean room applications
All accessories are field installable



EZU-15-R With Optional Valve Stand

DISTRIBUTED BY:



Bishamon®

Indoff

bishamon.indoff.com