

## EZ OFF

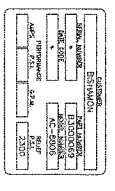
### SPARE PARTS LIST

1. EF-1090 SOLENIOD COIL
2. VF-4009 RELEASE VALVE
3. 2507-AA CHECK VALVE
4. ELEC-B3000845 CONTACTOR
5. ELEC-B3000808 TRANSFORMER
6. ELEC-B3000727 RELAY
7. ELEC-B3000866 TIMER

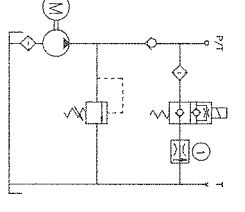
SEE ITEMS IDENTIFIED 1 THROUGH 7 ON ATTACHED  
DRAWINGS

MANUFACTURE INFORMATION

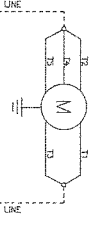
REV.	BY	CHECKED	ECO	DATE	DESCRIPTION
1	KSS	ASH	1102809	23-FEB-11	MODEL FC-1.5



HYDRAULIC CIRCUIT



ELECTRIC CIRCUIT



UNIT SPECIFICATION

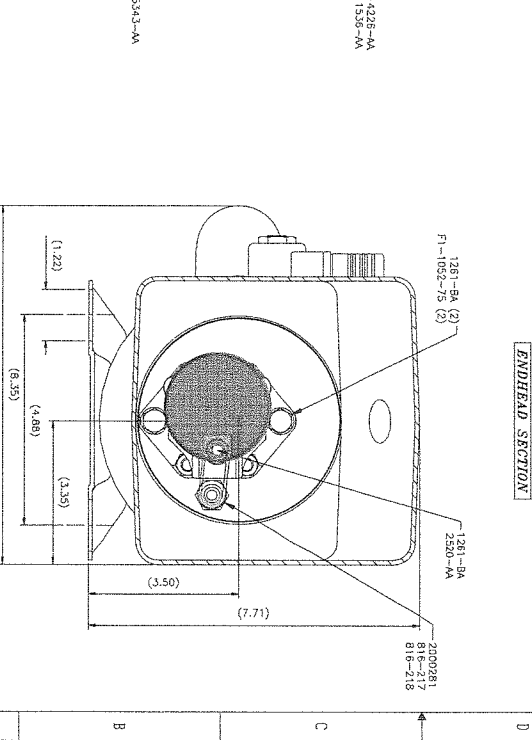
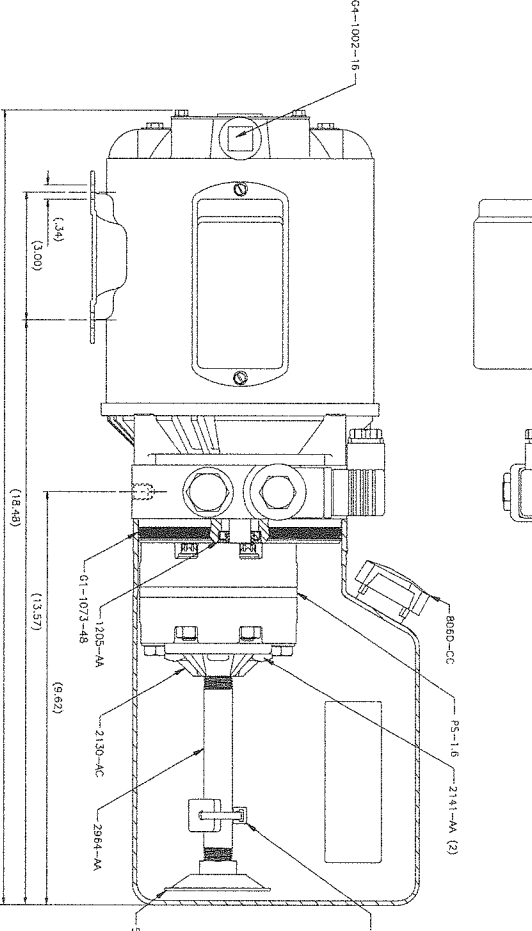
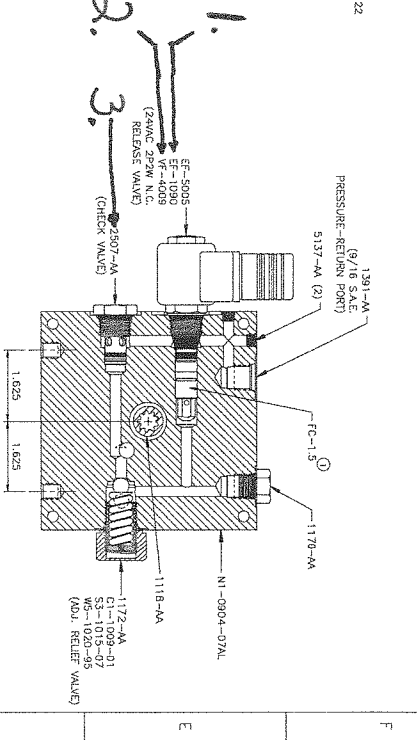
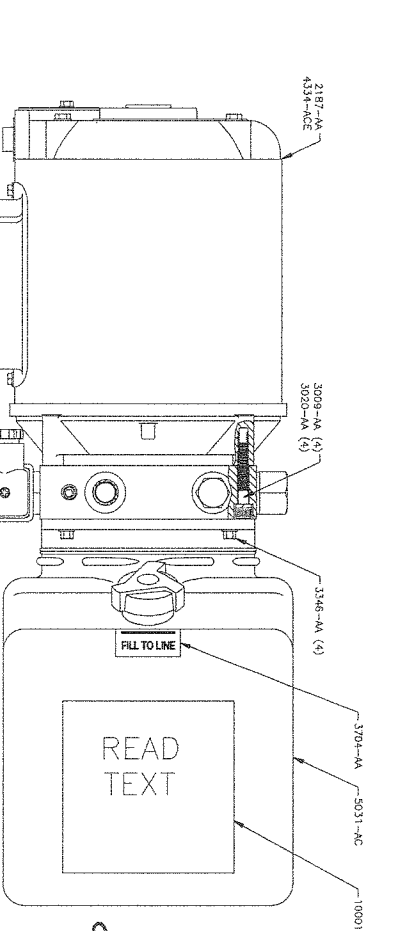
115725-250 MC  
 MOTOR 108/17-SAE (1) 8.4/1.6-1.2 AMP  
 1452/172-SAE (1) 8.4/1.6-1.2 AMP  
 1.16 AMP (100% 1/2 HP)  
 1.16 EC/250V (198 CU/IN/REV)  
 PUMP ADVISORY RELIEF VALVE SET AT 2300 P.S.I.  
 ENDGARD 9/16 SAE PRESSURE-RETURN PORT  
 THIN 9/16 SAE MANUAL RETURN PORT  
 1.2 GALON (1.02 CU IN. MIN. INSTALL)  
 VERTICAL MOTOR WITH BEARING-FILL TRAY  
 VALING CHECK VALVE 2500 N.C. RELEASE  
 115 VOLTS AC  
 WEIGHT 115 VOLTS AC  
 RESERVOIR 50% FULL OF OIL  
 ADVISE USER LEVEL OF OIL  
 BEFORE OPERATING TO AVOID  
 SHOCKING OIL ON CONTACT POINTS  
 AND TO PREVENT SLIPPERY FLOORING  
 \*\* UNIT PERFORMANCE \*\*  
 SHIP 64-1002-40 AND 2893-AA TOGETHER IN  
 CARTON OR IN PROTECTIVE PROVED PNE PER  
 SHIPPERS INSTRUCTIONS  
 \*\* UNIT PERFORMANCE \*\*  
 AT 1.8 GAL. MIN. OIL 1800 RPM  
 AT 1.5 GAL. MIN. OIL 1500 RPM  
 AT 1.0 GAL. MIN. OIL 1000 RPM  
 AT 1.5 GAL. MIN. OIL 1500 RPM  
 AT 1.0 GAL. MIN. OIL 1000 RPM

SPX MANUFACTURING STANDARDS

FINISHES UNLESS SPECIFIED  
 UNLESS OTHERWISE SPECIFIED  
 ALL DIMENSIONS ARE IN INCHES  
 THIS POWER UNIT DOES NOT CONTAIN PARTS  
 WHICH PROJECT BEYOND THE ENTIRETY OF  
 SURFACE, EXCEPT AS SPECIFIED BY DIMENSIONAL CHANGES

REVISIONS

REV.	BY	CHECKED	ECO	DATE	DESCRIPTION
1	KSS	ASH	1102809	23-FEB-11	MODEL FC-1.5



SUPPLIER NOTE

SPX USES A NUMBER OF QUALIFIED  
 SUPPLIERS, SO WIRING DIAGRAMS MAY  
 VARY, CONSULT MOTOR NAME PLATE.



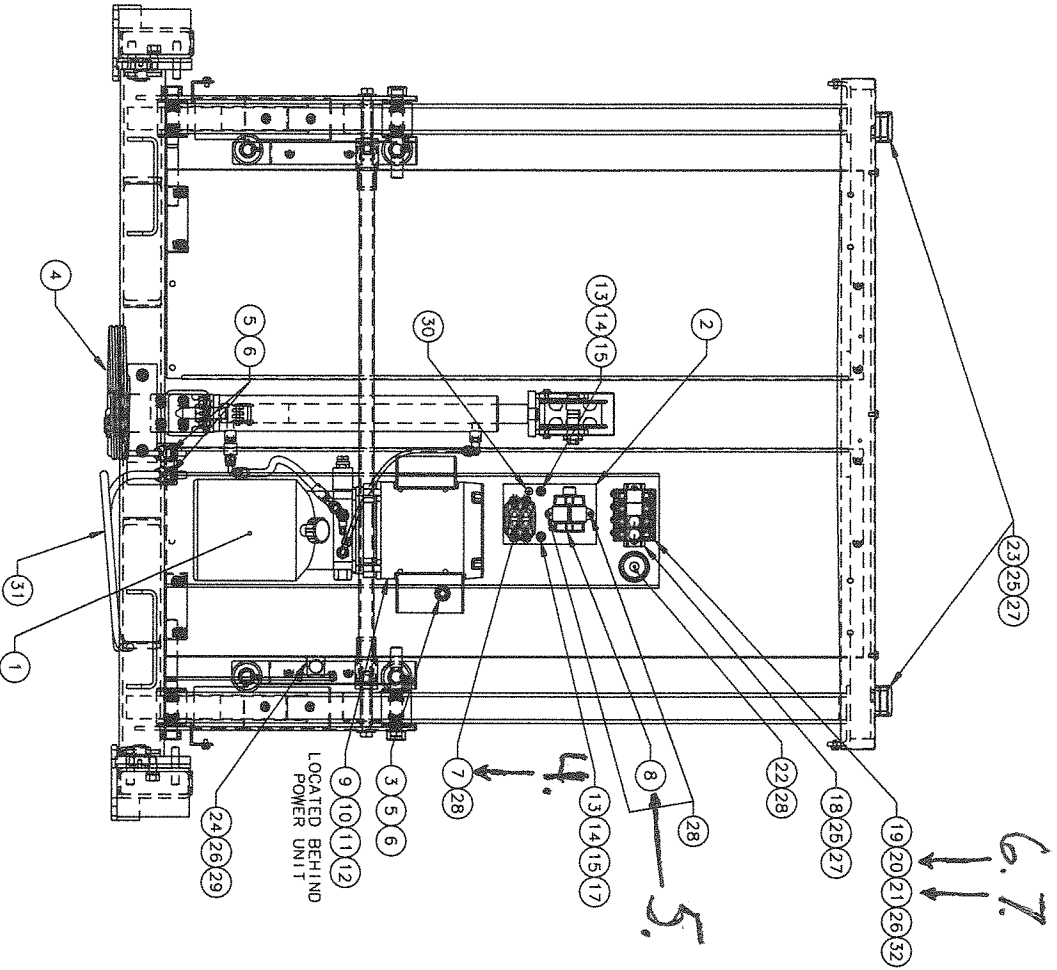
THIRD ANGLE PROJECTION	UNLESS OTHERWISE SPECIFIED
1	2 PLACES ± 0.10
2	3 PLACES ± 0.05
3	4 PLACES ± 0.02
4	FINISH 125 MAX
5	FINISH 125 MAX
6	FINISH 125 MAX

ANGLES ± 1°	UNLESS OTHERWISE SPECIFIED
2 PLACES ± 0.10	CHECKED BY G. BRAFON
3 PLACES ± 0.05	CHECKED BY DATE
4 PLACES ± 0.02	MATERIAL NOTED

DRAWN & CHECKED	DATE	FOR PART OR OVER
BRUNN, SINTKOWSKI	15-APR-10	HEAT TREAT
G. BRAFON	15-APR-10	RUSH

DRAWING NAME	DRAWING NUMBER
HYDRAULIC TECHNOLOGIES	AC-4906

TRACKING NUMBER	SCALE	SIZE	REV
EN 1002AM		D	1
		SHEET	1 OF 1



NO.	DESCRIPTION	NUMBER	QTY	REMARKS
1	POWER UNIT	ELEC-B3000069	1	*
2	AC MOUNTING BLOCK	TIT-B65003971	1	*
3	POWER CORD	ELEC-B3000553	60	16/3 SJOW CORD
4	POWER PLUG / CORD	ELEC-B3000059	1	*
5	STRAIN RELIEF	ELEC-B3000724	3	1/2
6	NUT	ELEC-B3000098	3	FOR STRAIN RELIEF
7	IEC CONTACTOR	ELEC-B3000845	1	*
8	CONTROL TRANSFORMER	ELEC-B3000808	1	120V TO 24 VAC
9	HEX BOLT	MEC-B2000029	4	5/16-18 x 1
10	FLAT WASHER	MEC-B2000071	4	5/16
11	LOCK WASHER	MEC-B2000077	4	5/16
12	U NUT RETAINER	MEC-B2000320	4	TMMN C31175-5618-4
13	FLAT WASHER	MEC-B2000070	4	1/4 ZINC
14	BUTTON HEAD CAP SCREW	MEC-B2000262	2	1/4-20 x 5/8 BLKX
15	LOCK WASHER	MEC-B2000076	2	1/4 ZINC
16	TERMINAL	ELEC-B3000083	1	10-1299 x 1/4 EYE
17	TERMINAL	ELEC-B3000696	10	14-1699 SPADE
18	MOUNTING RAIL	CUT-B1100428	1	*
19	RELAY BLOCK	ELEC-B3000875	4	OMRON PYFOBA-E
20	RELAY	ELEC-B3000727	2	OMRON MY2-AC24
21	TIMER	ELEC-B3000866	2	OMRON H3VN-2-24AC
22	BUZZER	ELEC-B3000775	1	MOMSR 5801T1-24VAC
23	LIGHT	ELEC-B3000579	2	2 WIRE LEADS
24	LIMIT SWITCH	ELEC-B3000839	1	*
25	SCREW	MEC-B2000219	6	10-32 x 1/2
26	SMITICH MOUNT PLATE	EZSL-B5004503	1	*
27	LOCK WASHER	MEC-B2001555	8	#10
28	SCREW	MEC-B2000323	5	8-32 x 5/16
29	SCREW	MEC-B2001692	2	10-32 x 1 1/2
30	SCREW	MEC-B2000051	1	1/4-20 x 3/8
31	SMITICH CORD	ELEC-B30000220	156	18/4 CORD - 13 FT
32	WIRE	ELEC-B3000518	120	18ga BLACK - 10 FT

REV. A REVISE CONTACTOR P/N  
 ECO#529 REVISE CONTACTOR SCREW  
 Date: 01-03-06

REPLACES:  
 CHECKED BY: DRAWN BY:  
 SHEET: 1 OF 1 SCALE: NTS  
 DATE: 7-27-01  
 NAME: EZSL ELECTRICAL ASSY  
 NUMBER: ELEC-B8001330

**Bishamon**  
*Quality Design®*  
 PROPRIETARY DESIGN RIGHTS RESERVED BY BISHAMON INDUSTRIES INC.  
 9841 S. PEARL'S ST.  
 DEERFIELD, ILL 60015  
 1000 N. WALKER DR.  
 HIALEAH, FL 33010